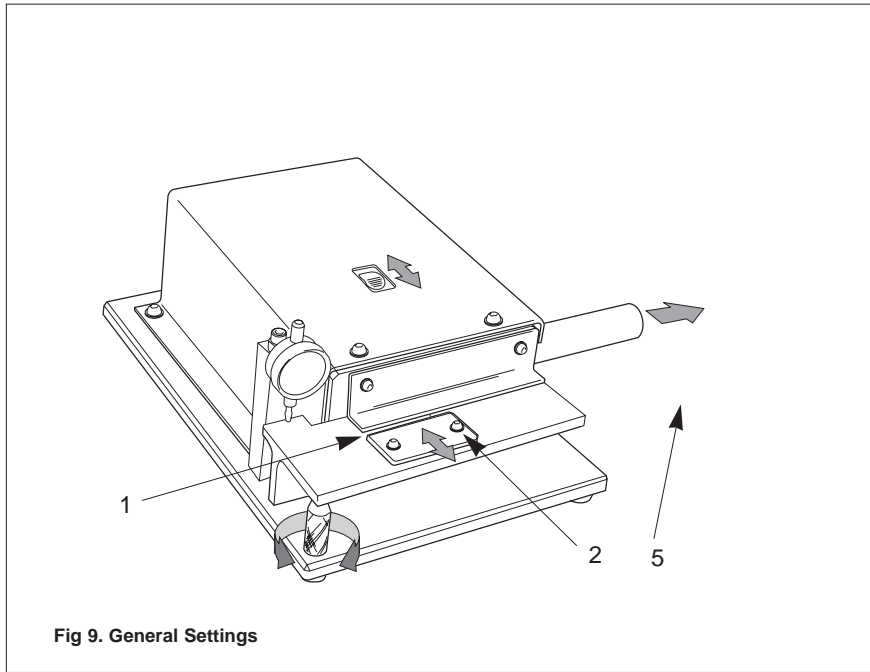


OP1.1 BASIC SETTINGS

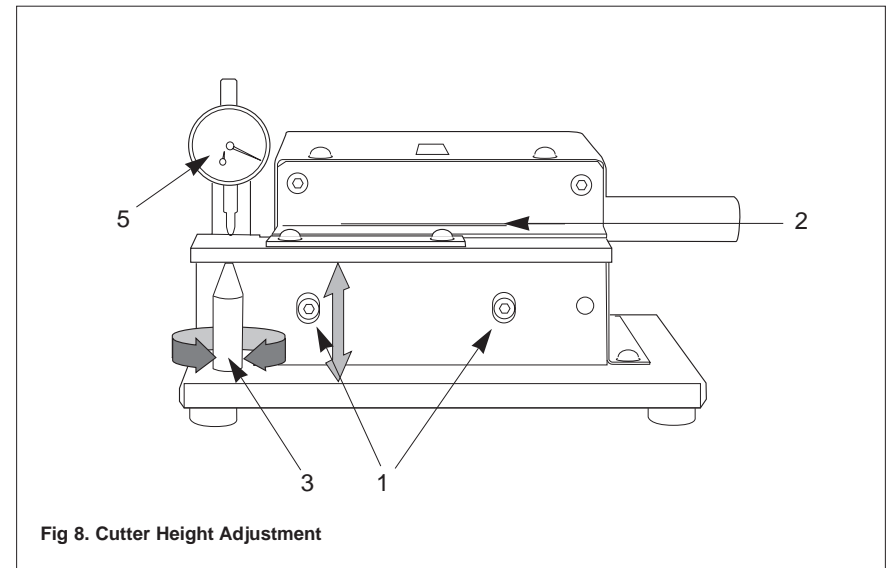


WARNING: ISOLATE MACHINE FROM POWER SUPPLY BEFORE CARRYING OUT ANY MAINTENANCE

1. Position sample board between the fixed Angle Guide and the Front Guide.
2. Loosen Front Guide hex screws and adjust until clearance meets 0.2mm (board installed)
3. Tighten hex screws and check clearance with feeler gauges.
4. The unit is supplied with the cutter set to neutral - ie. level with the face of the positioning table. See OP1.2 for adjustment to Positioning Table.

5. A vacuum facility must be attached to the 30mm port located on the right hand side of the unit. This must be operational before starting the EdgeCut motor.

OP1.2 ADJUSTMENTS



WARNING: ISOLATE MACHINE FROM POWER SUPPLY BEFORE CARRYING OUT ANY MAINTENANCE - CUTTER TOOLS ARE VERY SHARP & DELICATE!
HANDLE WITH CARE

IMPORTANT: It is important to establish how much adjustment, to the depth of cut, is required. Always start adjustments from zero.

1. Loosen two hex head screws just enough to allow movement of the positioning table.
2. Position a straight edge rule across the cutter face/positioning table.

NOTE: Use a matchstick or similar to rotate the cutter tool until one of the blades is at full height

3. Using the knurled adjuster, lower or raise the table until the cutter is in contact with the straight edge.
4. Tighten two screws
5. Once satisfied, reset the dial gauge to zero.
6. Run a test board and from the result determine the amount of additional adjustment required.
7. Repeat items 1,3 & 4 using the dial indicator to meter the exact adjustment.

MT2.1 MAINTENANCE

WARNING: ISOLATE MACHINE FROM POWER SUPPLY BEFORE CARRYING OUT ANY MAINTENANCE

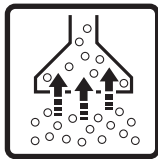
Edgecut has been designed for very low maintenance. However, it is vital that regular inspection of the cutter be carried out by the operator.

DAILY

1. Check Cutter condition
2. Check & empty vacuum dust bag

MONTHLY

1. Check Motor Drive Brushes for wear (replace if necessary)
2. Vacuum any dust found on the cutter motor or inside the cover. Dust drawn into the motor may cause bearing failure.



Sawdust Vacuuming

The dust produced while working can be detrimental to health, inflammable or explosive. Suitable safety measures are required.

Examples: Some dusts are regarded as carcinogenic. Use suitable dust/chip extraction and wear a dust mask. Dust from PCBs can burn or explode. Always keep the workplace clean, as blends of materials are particularly dangerous

0.4 LAYOUT & CONTROLS

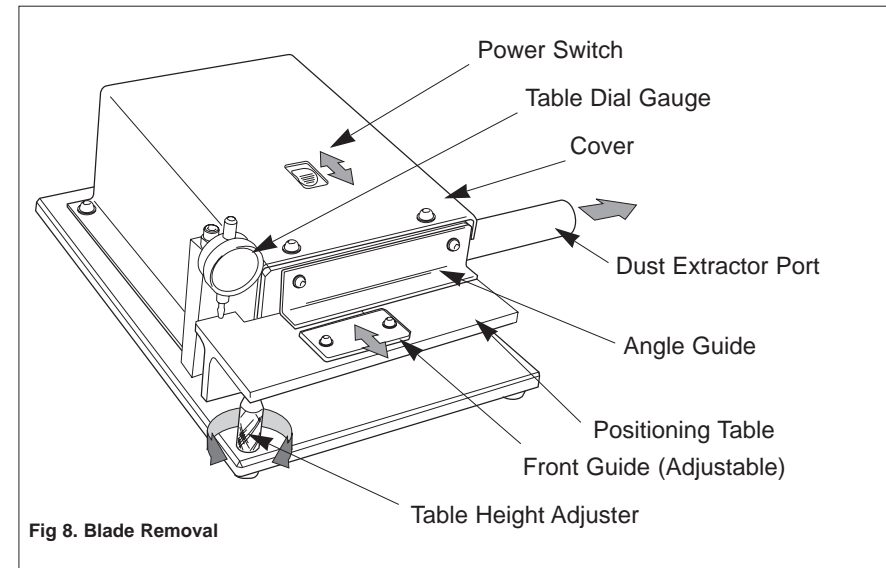


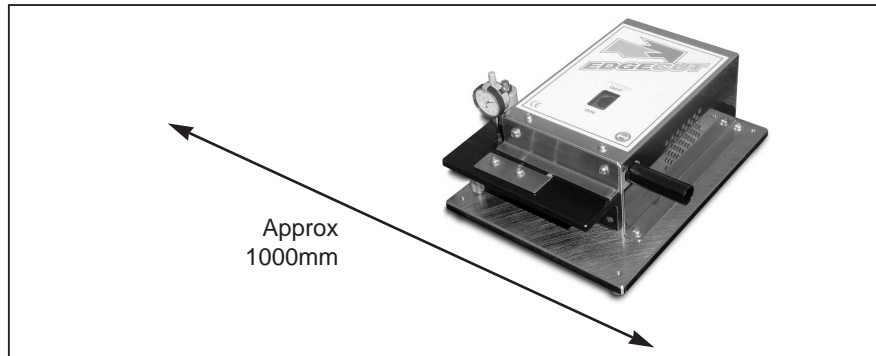
Fig 8. Blade Removal

WARNING: DO NOT ATTEMPT TO OPERATE THIS ITEM UNTIL COMPLETELY FAMILIAR WITH THIS MANUAL.

NOTE: A Vacuum supply must be available and activated before the BevelCut unit is turned on - a 30mm extractor port, built onto the BevelCut unit, must be connected to the Vacuum supply.

1. The BevelCut Unit is simple to set up and operate.
2. Boards are located between Angle Guide and Front Guide on the Positioning Table.
3. With the machine running the board is fed through the guides with a light but firm pressure.

0.3 INSTALLATION



1. Uncrate the Edgecut machine and position it on a workbench with sufficient work space around it (see figure 1).
2. Ensure all components are present (See Check List Section 0.2)
3. Locate the unit close to a 13 amp power socket

4. Consideration should be made for stacking space adjacent to the unit for panels and separated pcb's
5. Read & Fully understand the Safety Instructions (below) and Operator Manual before turning the unit on.

SAFETY INSTRUCTIONS

1. Read this instruction manual carefully BEFORE operating the machine. Do not attempt to operate the machine until you are totally familiar with its safe operation.
2. Do not operate the machine with any safety guards or safety switch mechanisms removed.
3. Do not tamper or modify any safety guards or devices.
4. Do not perform any setting up procedures with the machine switched on.
5. Do not place hands near the cutter whilst machine is in use.

6. Do not wear loose clothing, jewellery or unrestrained hair styles whilst operating this machine.
7. Always disconnect the power supply from the machine BEFORE carrying out repairs or maintenance.
8. Always wear safety glasses or a face shield and ear protection when operating this machine
9. Always wear gloves when replacing cutters
10. This machine MUST be operated by only ONE person at a time.
11. Ensure effective exhaust of dust before operating this unit

MT2.2 CUTTER REMOVAL

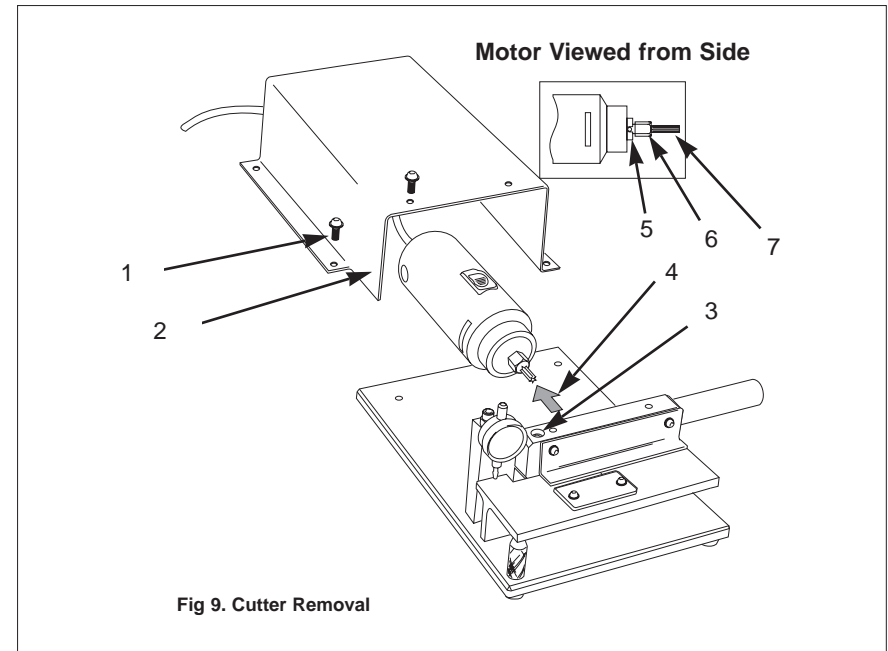


Fig 9. Cutter Removal

WARNING: ISOLATE MACHINE FROM POWER SUPPLY BEFORE CARRYING OUT ANY MAINTENANCE

1. Remove six Cover securing screw
2. Lift cover away (it is necessary to feed the power cable through the grommet at the rear of the cover)
3. Loosen the 10mm hex socket clamp screw.
4. Withdraw the motor assembly from the clamp block.
5. Install Rotor locking tool bar.
6. Use chuck spanner in conjunction with rotor locking tool to release the cutter tool.

7. Use protective gloves to withdraw and handle cutter tool.

NOTE: NEVER handle cutter tool with bare hands. Always wear gloves.

8. Installation is the reverse of removal - Ensure the power switch is located at the top when repositioning the motor.
9. the cutter tool must be located fully home in the chuck
10. Locate motor fully home to shoulder before tightening clamp screw. Do not over tighten clamp screw or damage to motor will occur.

MT2.3 MOTOR BRUSHES

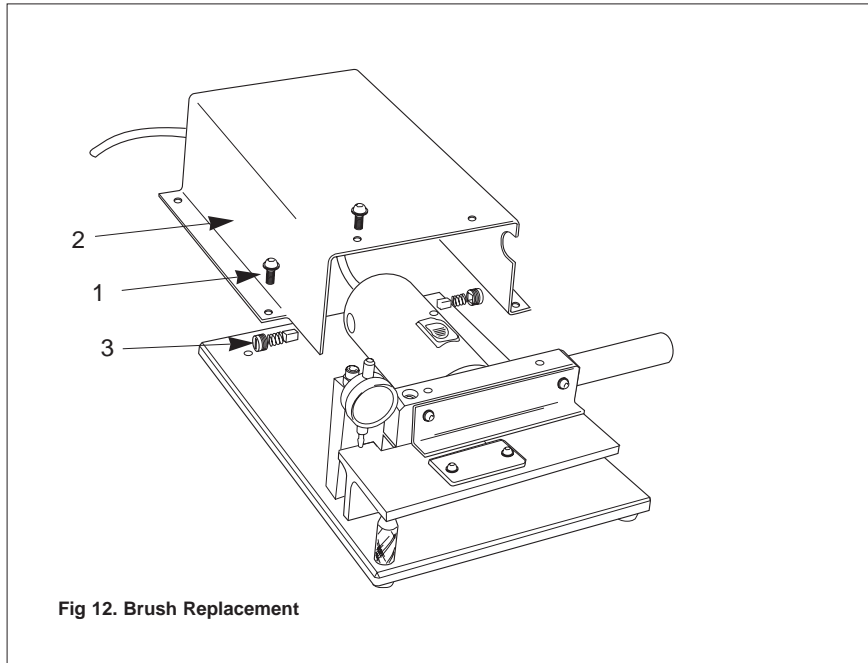


Fig 12. Brush Replacement

WARNING: ISOLATE MACHINE FROM POWER SUPPLY BEFORE CARRYING OUT ANY MAINTENANCE

1. Remove six cover retaining screws.
2. Feed power cable through grommet at rear of cover and position cover to one side.
3. Remove brush holders (2 off) and replace brush elements.
4. Reassembly is the reverse of removal.

0.2 TECHNICAL DATA

Specification

Length	325mm
Width	305mm
Height	165mm
Weight	14.5Kg

Cutter Speed	20,000rpm
Cutter diameter & angle	6mm parallel
Board positioning	Ground guides & Adjustable Nip Roller
Cutter depth adjustment	Hardened & Ground Adjustable Table
Exhaust Vacuum Requirements	250cfm (minimum)
Electrical supply	Single phase 240V x 6amp

CHECK LIST

The following equipment has been packed and checked before despatch. **Uncrate the Edgecut CAREFULLY! Do not handle Edgecut roughly. Ensure that all of the equipment is unwrapped from its individual packaging before discarding the packaging.**

IMPORTANT NOTICE

The guarantee on this equipment will be invalidated if damage occurs either through negligence, mishandling or incorrect installation.

Packing List

- Edgecut machine with Cutter (fitted).
- Set of Allen key tools
- Cutter chuck locking tool & spanner
- Spare fuses



the manufacturer. reserve the right to change or alter the specification without notice.
Special requirements and Options installed on this unit

0.1 INTRODUCTION

Design Principles

Edgecut has been designed to apply a precision, controlled edge to PCBs. Primarily developed for routed board application, the Edgecut may also be used to de-burr scored boards after 'breakout'.

Edgecut will eliminate the need for time consuming and often inaccurate manual finishing methods, providing a clean, consistent edge for more accurate assembly.

Edgecut is designed for simplicity and effortless operation, achieving clean-cut results without damaging board or components which are installed. **Edgecut** has a variable depth table which provides quick and accurate adjustment to achieve perfect results.



Varying board thickness is controlled by an adjustable guide roller ensuring the boards consistent relationship with the cutter.

Construction

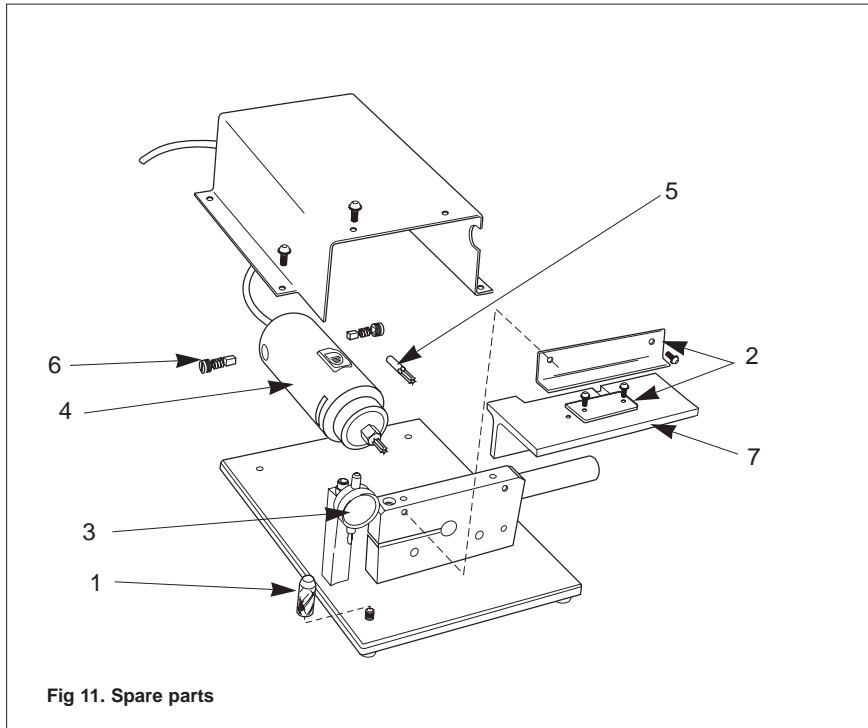
The unit consists of a zinc plated steel chassis with polished stainless steel cover. The fixed speed carbide cutter provides exceptional edging capabilities for any pcb material. The bench-top design is supplied with 13 amp single phase cabling ready for installation and set up which can be carried out in less than 5 minutes.

SY3.1 FAULT FINDING

PROBLEM	REASON	SECTION
EDGE-CUT NOT WORKING	<i>Check fuse in switch or plug Check cable is installed Check power switch is ON</i>	IN 0.4
EDGE-CUT POWERS UP BUT DOES NOT CUT	<i>Cutter tool is loose in chuck Positioning table is too high</i>	MT2.2 OP1.2
INTERMITTENT TRIMMING & ROUGH EDGES	<i>Damaged or worn blades Not enough pressure applied to locate board</i>	MT2.2
BOARD WILL NOT ENTER GUIDES	<i>Adjust Guides</i>	OP1.1
BOARD ENTERS GUIDE BUT LABOURS PAST CUTTER	<i>Positioning table too low or adjust guide clearance</i>	MT2.2 OP1.1
LARGE ACCUMULATION OF DUST	<i>Dust extraction inoperative or receptical full</i>	CHECK
EXCESSIVE VIBRATION	<i>Worn bearings or overtightened motor clamp</i>	MT2.2

SY3.2 SPARE PARTS LIST

Contents



DESCRIPTION	PART NO	QTY
1 KNURLED WHEEL/ ADJUSTER	ED0118	1
2 GUIDE ASSY KIT	ED0132	1
3 DIAL GAUGE	ED0140	1
4 MOTOR ASSEMBLY	ED0142	1
5 CUTTER TOOL	ED0116	1
6 MOTOR BRUSH KIT	ED0108	2
7 POSITIONING TABLE ASSY	ED0110	1

Introduction to EdgeCut (IN 0.0)

0.1 Introduction	4
0.2 Technical Data & Check List	5
0.3 Installation & Safety Instruction	6
0.4 Layout & Controls	7

Operating Procedure (OP 1.0)

1.1 Setting Procedure	8
1.1 Adjustments	9

Maintenance Procedure (MT 2.0)

2.1 Maintenance	10
2.2 Cutter Replacement	11
2.3 Motor Brush Replacement	12

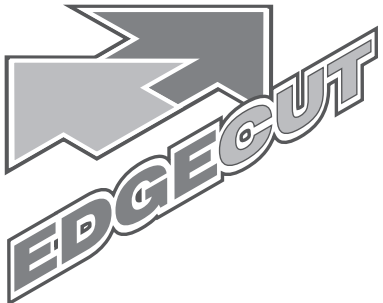
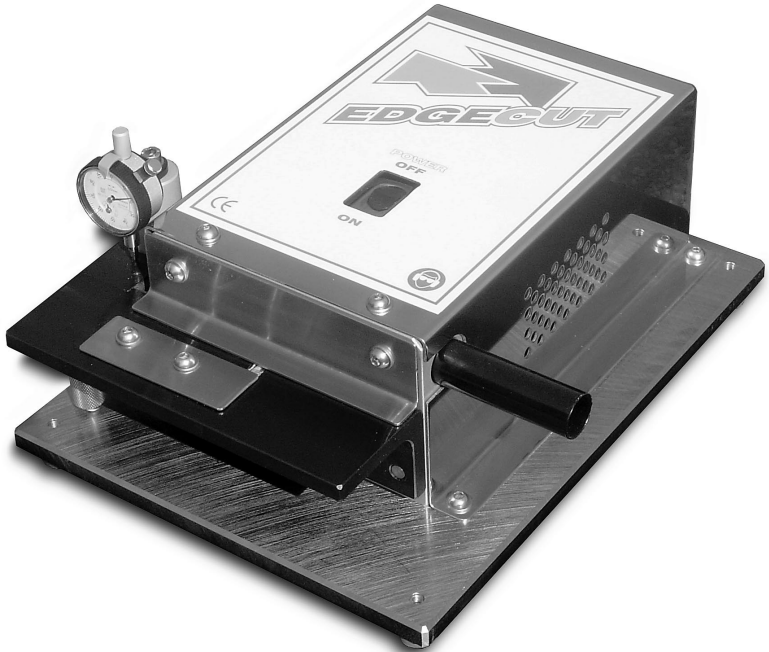
Systems Support (SY 3.0)

3.1 Fault Finding	13
3.2 Spares List	14
3.3 Warranty Clause	15



Supplied by:

Edgecut SERVICE & SPARES
Tel: 01202 528686



OPERATORS MANUAL
(INCORPORATING SERVICE, MAINTENANCE
& SPARES SCHEDULES)



MANUAL